



Widely used in network system, educational system, broadcasting system and telecommunication system. Suitable for placing server computer and precision electronic equipments.

### STANDARD

- Comply with ANSI/EIA RS-310-D, DIN41491; PART1, IEC297-2, DIN41494; PART7, GB/T3047.2-92 standards.
- Compatible with metric, ETSI and 19' international standard..

### MATERIALS

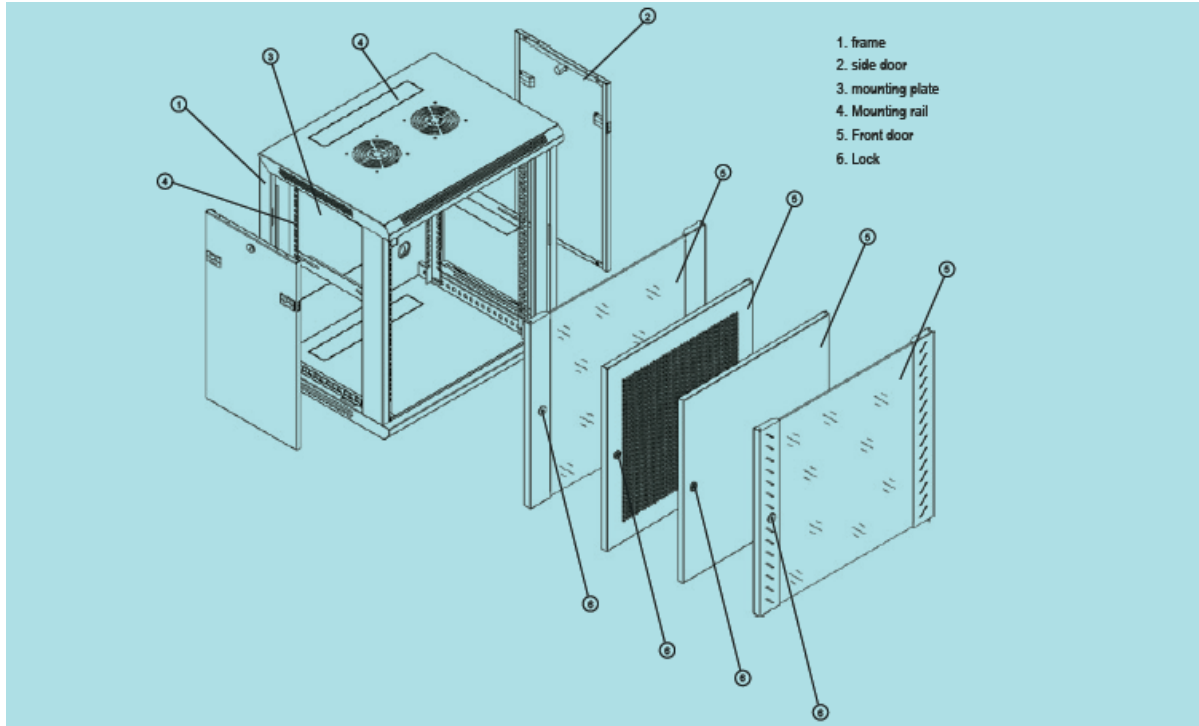
- Cool rolled steel
- Thickness: Vertical rail:1.2mm
- Else in 0.8mm
- Tempered smoky-gray glass with thickness of 5mm.

### FEATURES

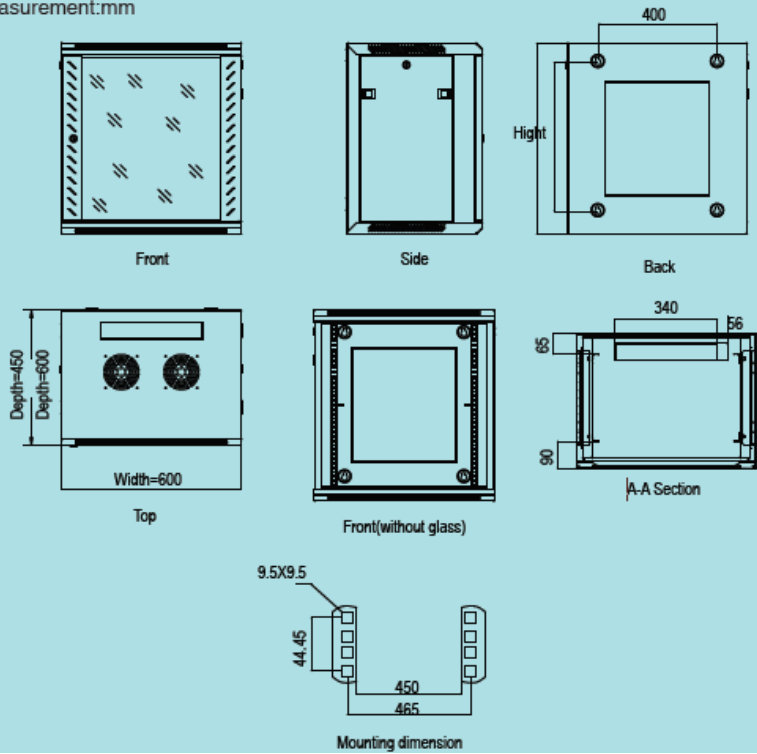
- Exquisite design with precise dimension and craftsmanship.
- International popular smoky-gray glass front door.
- Easily be mounted on wall, or placed on floor after installed castor or feet.
- Loading capacity: 60KG.
- Top and bottom wiring channel could be closed.
- Removable front door and side panel, easily installing and maintaining.
- Surface finish: Degreased, acid cleaned, phosphoric, water cleaned, electro-static powder coating, meet ROHS standard.



# STRUCTURAL



mm Unit of Measurement:mm



# ACCESSORIES

S/N	Specification	PCS	UD	Material	surface finish	Remark
1	Frame	4	Pcs	0.8mm cold rolled steel	Powder coated	-
2	Front door	1	Pcs	0.8mm cold rolled steel	-	B type door
3	Side door	2	Pcs	0.8mm cold rolled steel	Powder coated	With lock
4	Lock	1	Pcs	-	F	-
5	Mounting rail	4	Pcs	1.2mm cold rolled steel	Powder coated	-
6	Mounting plate	1	Pcs	0.8mm cold rolled steel	Powder coated	-
7	Cable inlet cap	2	Pcs	0.8mm cold rolled steel	Powder coated	-
8	Screws & nuts	10	Pack	-	-	-
9	wrench	1	Pcs	-	-	-

# CONSTRUCCION

Part No	U	Width	Depth	Height	Carton measurement
VIR-M6U645	6u	600mm	450mm	368mm	0.67m x 0.62m x 0.43m
VIR-M9U645	9u	600mm	450mm	501mm	0.67m x 0.62m x 0.56m
VIR-M12U645	12u	600mm	450mm	635mm	0.67m x 0.62m x 0.70m

